

ARCTIC CAT®

ZR® 120

Model Number S2004ZRAAAUSG



Illustrated Parts Manual

2004

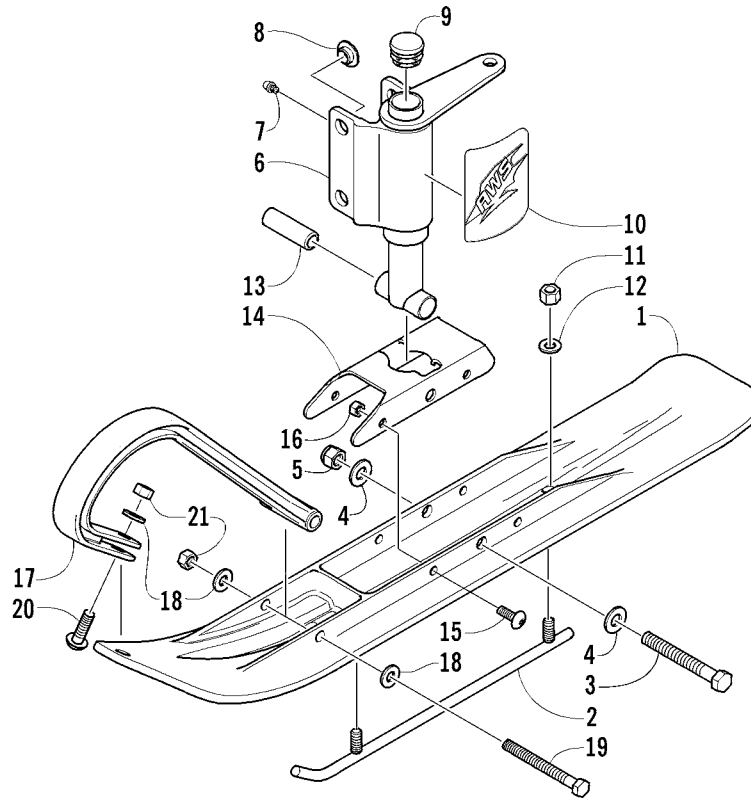
TABLE OF CONTENTS

2004 ZR 120

(Model No. S2004ZRAAAUSG)

SKI AND SPINDLE ASSEMBLY	1
A-ARM ASSEMBLY	2
FRONT SUSPENSION SHOCK ABSORBER	3
STEERING POST AND TIE ROD ASSEMBLY	4
DRIVE TRAIN SHAFT AND BRAKE ASSEMBLIES	5
SLIDE RAIL, IDLER WHEELS, AND TRACK ASSEMBLY	6
REAR SUSPENSION ARM ASSEMBLY	7
CHASSIS, FOOTREST, AND REAR BUMPER ASSEMBLY	8
HOOD, HEADLIGHT, AND WINDSHIELD ASSEMBLY	9
BELLY PAN AND EXHAUST ASSEMBLIES	10
GAS TANK, SEAT, AND TAILLIGHT ASSEMBLY	11
ENGINE AND RELATED PARTS	12
AIR CLEANER ASSEMBLY	13
CARBURETOR	14
CYLINDER AND CRANKCASE	15
PISTON AND CRANKSHAFT	16
RECOIL STARTER	17
THROTTLE CONTROL ASSEMBLY	18
MAGNETO	19
RELATED ITEMS	Back Cover

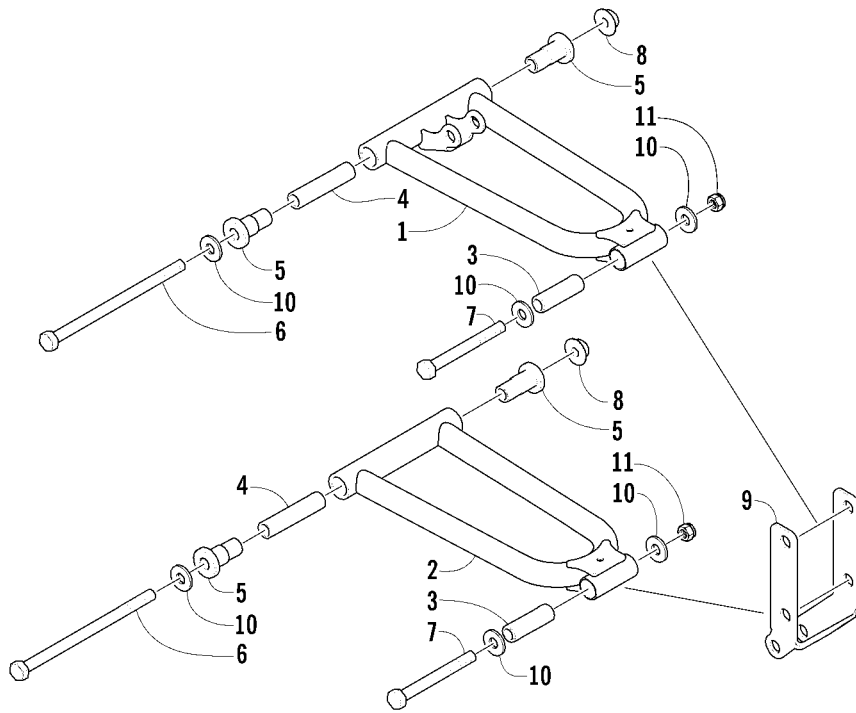
■ NOTE: The illustrations used in this Parts Manual are for reference to replacement part numbers only and are not to be used for assembly. For assembly procedures, use an Arctic Cat Service Manual. Underlined part numbers are new for the 2004 model year.



SKI AND SPINDLE ASSEMBLY

0737-548

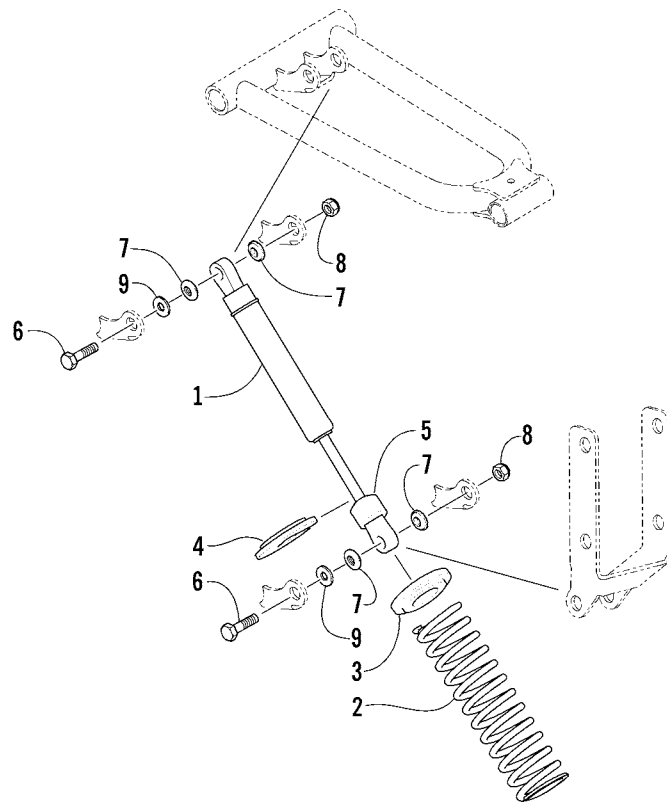
Ref.	Part No.	Qty.	Description	Ref.	Part No.	Qty.	Description
1	1603-606	2	Ski, Plastic - Green	11	8040-426	4	Nut, Lock
2	0703-698	2	Wearbar	12	8050-242	4	Washer
3	8002-231	2	Screw, Cap	13	1603-365	2	Axle, Suspension
4	8050-277	4	Washer	14	1703-184	2	Saddle, Ski - Black
5	8040-486	2	Nut, Lock	15	8017-580	8	Screw, Machine
6	0703-834	2	Spindle (inc. 7-8)	16	8040-366	8	Nut, Lock
7	0623-010	2	● Fitting, Grease	17	1603-607	2	Handle, Ski - Green
8	0603-647	8	● Insert, Spindle	18	8050-247	6	Washer
9	0623-831	2	Cap, Spindle	19	8002-141	2	Screw, Cap
10	4611-760	1	Decal, "AWS" - Spindle - Right	20	8017-672	2	Screw, Cap
	4611-761	1	Decal, "AWS" - Spindle - Left	21	8041-426	4	Nut, Lock



A-ARM ASSEMBLY

0737-549

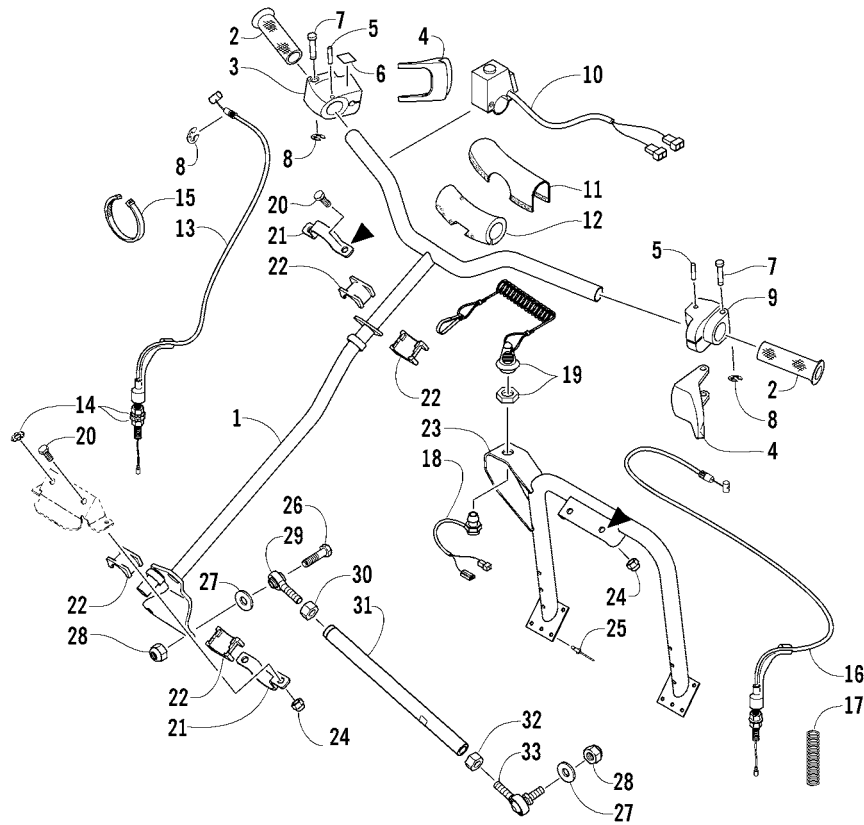
Ref.	Part No.	Qty.	Description	Ref.	Part No.	Qty.	Description
1	0703-806	2	A-Arm - Upper	7	8002-232	4	Screw, Cap
2	0703-691	2	A-Arm - Lower	8	0623-661	4	Nut, Crown Lock
3	1603-365	4	Axle, Suspension	9	1703-179	2	Bracket, Mounting - Shock
4	1603-394	4	Axle, Suspension	10	8050-277	12	Washer
5	0605-451	8	Axle, Powder Metal	11	8040-486	4	Nut, Lock
6	0623-900	4	Screw, Cap				



FRONT SUSPENSION SHOCK ABSORBER

0736-147

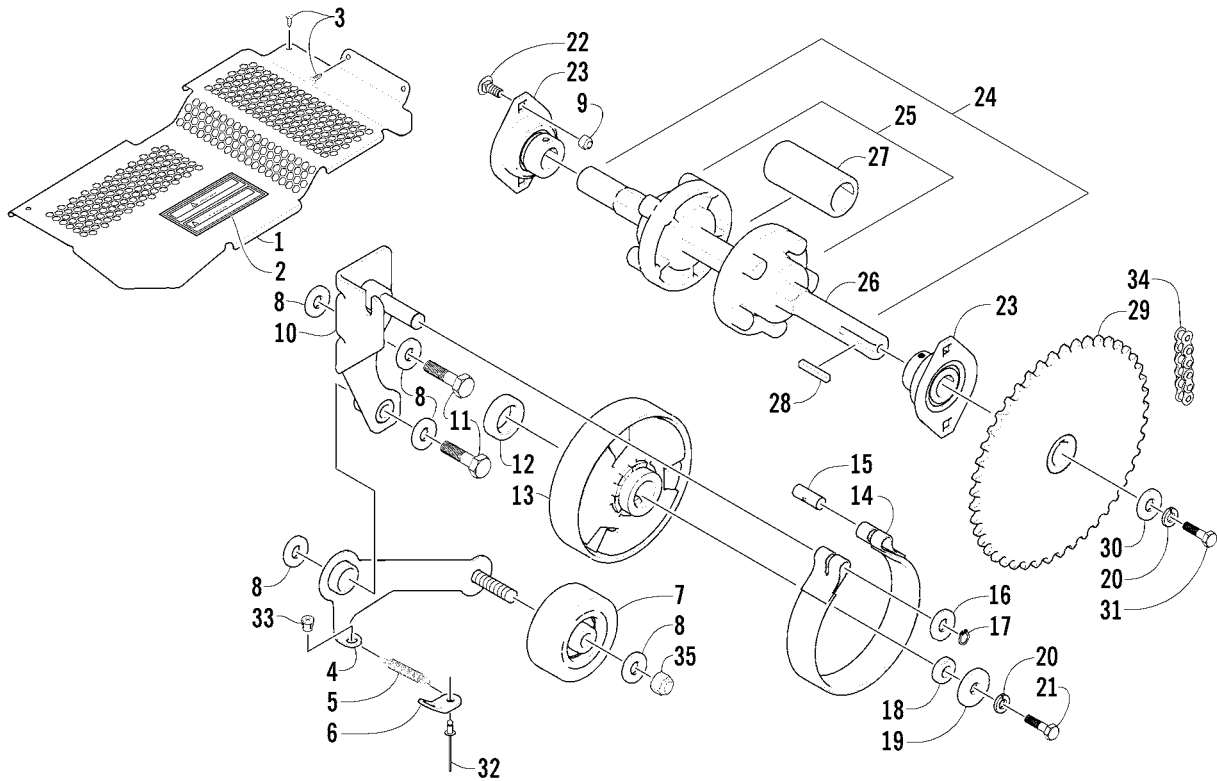
Ref.	Part No.	Qty.	Description	Ref.	Part No.	Qty.	Description
1	1603-458	2	Shock, Ski	6	0623-897	4	Screw, Cap
2	0703-802	2	Spring, Shock - Green	7	1603-863	8	Bushing, Shock
3	1603-862	2	Retainer, Spring - Lower	8	8040-486	4	Nut, Lock
4	1603-861	2	Retainer, Spring - Upper	9	0623-450	4	Washer
5	1603-872	2	Bumper, Rubber				



STEERING POST AND TIE ROD ASSEMBLY

0737-939

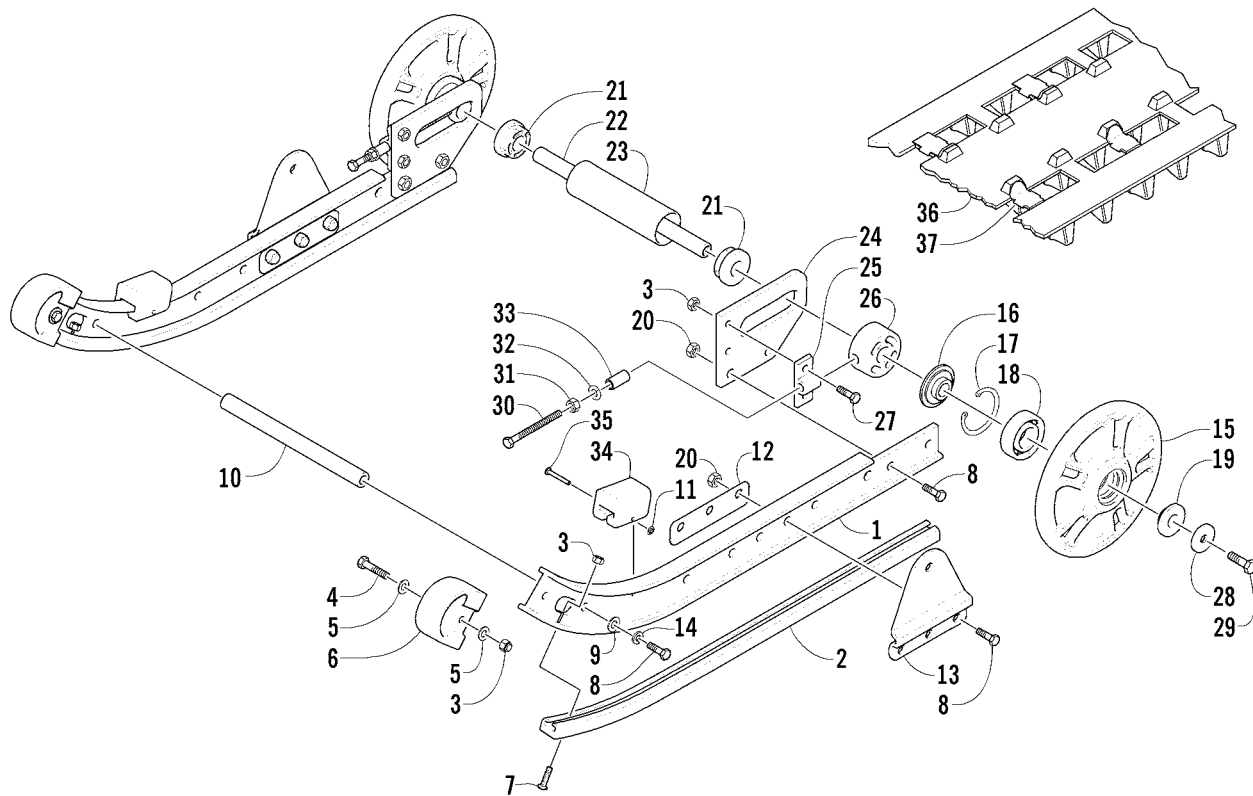
Ref.	Part No.	Qty.	Description	Ref.	Part No.	Qty.	Description
1	0703-693	1	Post, Steering	18	0630-138	1	Switch, Tether - Assembly (inc. 19)
2	1606-765	2	Grip, Handle	19	0630-139	1	● Cord, Tether Switch
3	0302-165	1	Control, Throttle	20	8002-040	4	Screw, Cap
4	0109-609	2	Lever, Throttle/Brake	21	0705-896	2	Retainer, Bearing
5	8070-318	2	Pin, Spring	22	0605-444	4	Bearing, Steering Post
6	0611-022	1	Decal, Engine Stop Switch	23	1706-050	1	Support, Steering Post
7	0123-230	2	Pin	24	8040-366	4	Nut, Lock
8	0123-231	3	Ring, Retaining	25	8060-504	10	Rivet
9	0302-147	1	Housing, Brake	26	8004-226	2	Screw, Cap
10	0609-007	1	Switch, Engine Stop	27	0623-044	4	Washer
11	0605-502	1	Cover, Handlebar Pad	28	0623-025	4	Nut, Lock
12	0605-501	1	Pad, Handlebar	29	0605-504	2	Rod End - Right
13	0687-121	1	Cable, Throttle	30	0123-191	2	Nut, Hex - Right
14	8053-212	3	Washer, Lock - External Tooth	31	0605-698	2	Tube, Tie Rod
15	0123-788	AR	Cable Tie - 7 in.	32	0123-917	2	Nut, Hex - Left
16	0687-122	1	Cable, Brake	33	0605-511	2	Rod End - Left
17	1602-100	1	Spring, Return - Brake				



DRIVE TRAIN SHAFT AND BRAKE ASSEMBLIES

0737-161

Ref.	Part No.	Qty.	Description	Ref.	Part No.	Qty.	Description
1	0712-915	1	Shield, Clutch/Brake/Muffler	19	0123-260	1	Washer
2	3611-754	1	Decal, Warning - Guard	20	8051-242	2	Washer, Lock
3	0623-797	3	Screw, Self-Tapping	21	8004-132	1	Screw, Cap
4	0702-376	1	Tensioner, Chain	22	8011-130	4	Bolt, Carriage
5	1602-066	1	Spring, Tensioner - Chain	23	1602-023	2	Bearing, Chain Sprocket
6	2606-021	1	Tab, Spring Retainer	24	0728-061	1	Track Drive Assembly (inc. 23 and 25-27)
7	1602-065	1	Roller, Chain Tensioner	25	1602-117	2	● Sprocket, Track Drive
8	8050-247	5	Washer	26	1602-017	1	● Shaft, Track Drive Sprocket
9	8040-426	4	Nut, Lock	27	1602-148	1	● Spacer
10	0702-360	1	Bracket, Brake	28	0623-823	1	Key
11	8004-135	2	Screw, Cap	29	1602-018	1	Sprocket, Chain
12	1602-026	1	Spacer, Clutch - Inner	30	0123-019	1	Washer
13	1602-020	1	Clutch, Centrifugal	31	8002-131	1	Screw, Cap
14	1602-021	1	Band, Brake	32	8060-504	1	Rivet
15	1602-049	1	Pin, Retainer - Brake Cable	33	0623-868	1	Bushing, Snap
16	8050-277	1	Washer	34	1602-019	1	Chain - 76P
17	0623-821	1	Ring, Snap	35	8041-426	1	Nut, Lock
18	1602-027	1	Spacer, Clutch - Outer				

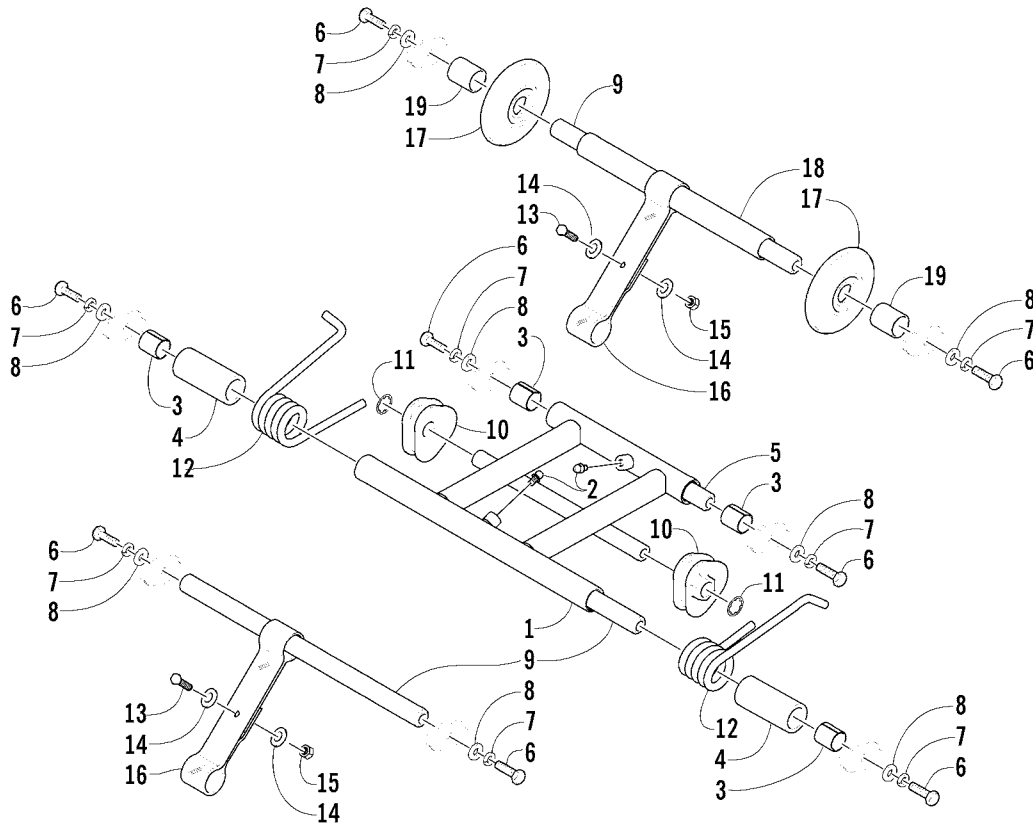


SLIDE RAIL, IDLER WHEELS, AND TRACK ASSEMBLY

(Complete Skid Frame Assembly p/n 7996-348)

0736-882

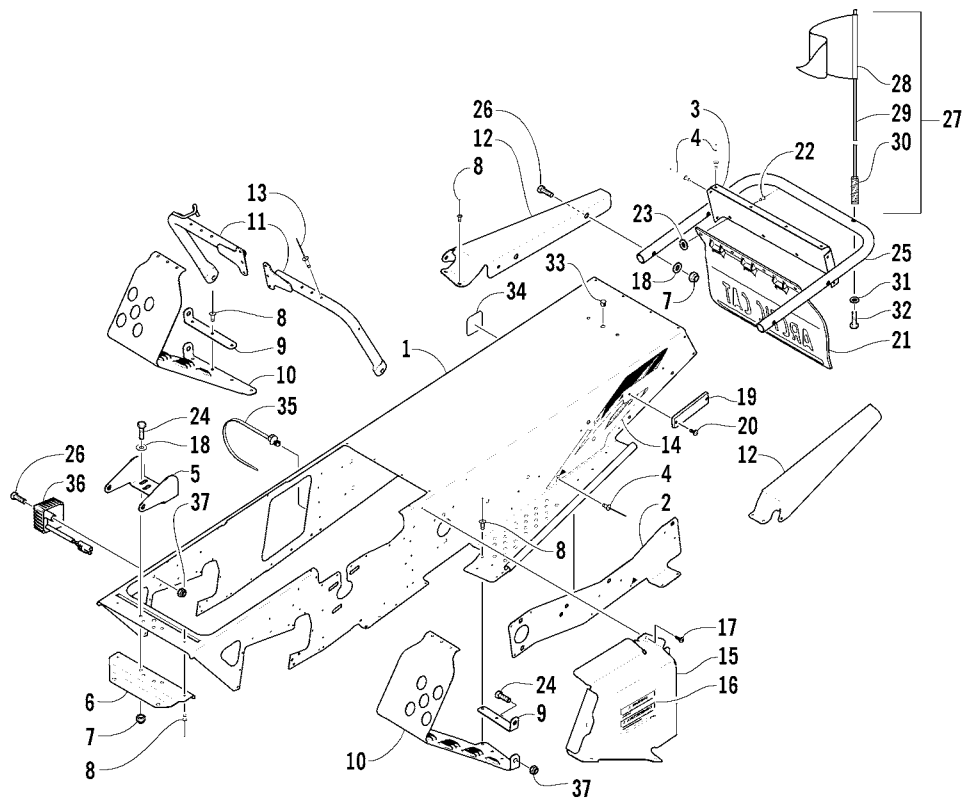
Ref.	Part No.	Qty.	Description	Ref.	Part No.	Qty.	Description
1	0704-605	2	Rail, Formed - Green	20	8040-426	10	Nut, Lock
2	1604-568	2	Wearstrip, Slide Rail - Black	21	0604-968	2	Bushing, Spacer - Idler Wheel - Rear
3	8040-366	8	Nut, Lock	22	1604-562	1	Axle, Idler Wheel - Rear
4	8002-044	2	Screw, Cap	23	1604-563	1	Spacer, Idler Wheel - Rear
5	8050-217	4	Washer	24	1604-661	2	Housing, Axle - Rear
6	0604-231	2	End Cap, Slide Rail	25	0604-206	2	Adjuster, Track
7	0123-869	2	Screw, Machine	26	0604-165	2	Bushing, Idler Wheel - Adjustment - Rear
8	8002-131	12	Screw, Cap	27	8002-041	4	Screw, Cap
9	8050-247	2	Washer	28	0123-570	2	Washer
10	1604-566	1	Axle, Cross-Brace	29	8002-222	2	Screw, Cap
11	0423-090	2	Nut, Press	30	0124-310	2	Screw, Cap
12	0704-897	2	Plate, Backing	31	8042-486	2	Nut
13	0704-896	2	Bracket, Support - Arm	32	8051-277	2	Washer, Lock
14	8051-247	2	Washer, Lock	33	0704-854	2	Spacer, Track Adjuster
15	1604-691	2	Wheel, Idler - Rear (inc. 16-19)	34	0104-631	2	Pad, Shock
16	1604-772	2	● Insert, Idler Wheel - Inner	35	0123-767	2	Rivet, Solid
17	0123-798	2	● Ring, Retaining	36	1602-015	1	Track Assembly (inc. 37)
18	0107-598	2	● Bearing	37	1602-079	32	● Clip, Guide
19	1604-773	2	● Insert, Idler Wheel - Outer				



REAR SUSPENSION ARM ASSEMBLY

0737-550

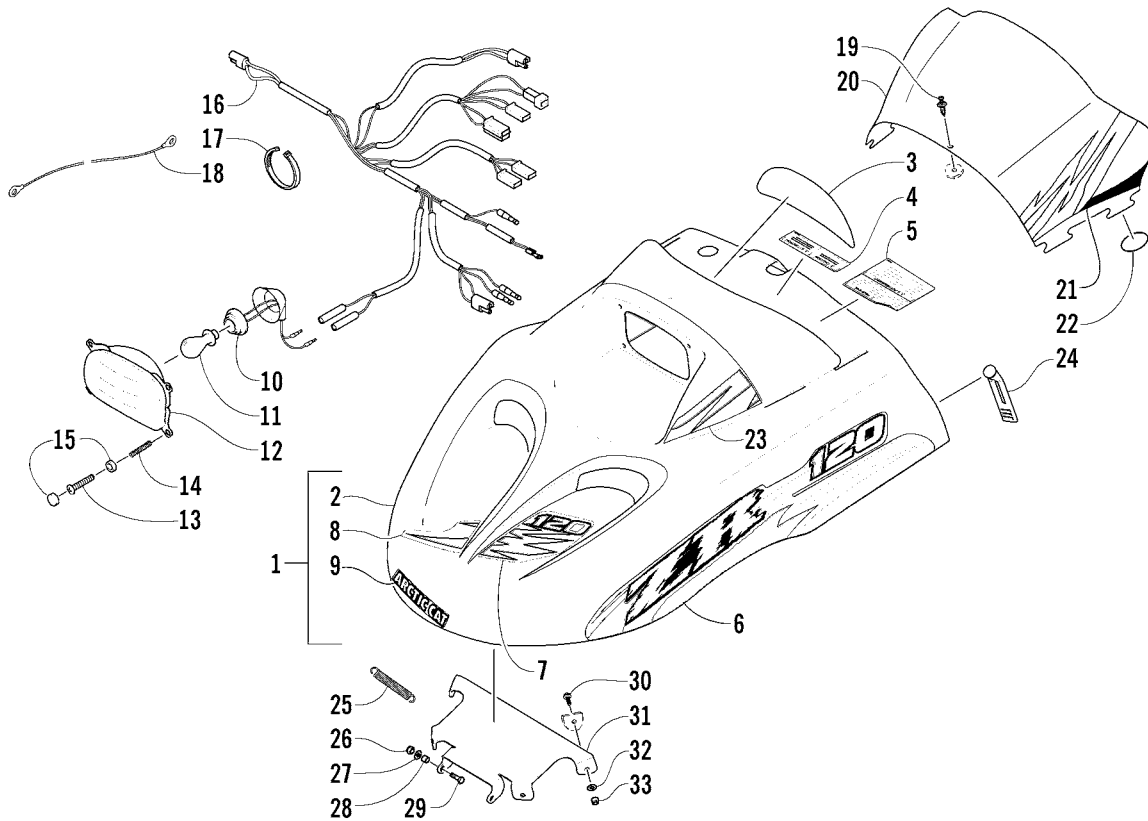
Ref.	Part No.	Qty.	Description	Ref.	Part No.	Qty.	Description
1	0704-734	1	Arm, Rear Suspension (inc. 2-3)	11	0623-138	2	Ring, Retaining
2	0623-922	2	● Fitting, Grease	12	0704-894	1	Spring, Rear Suspension - Right
3	0603-083	4	● Bearing	13	0704-895	1	Spring, Rear Suspension - Left
4	1604-715	2	Sleeve, Spring	14	8002-042	2	Screw, Cap
5	1604-710	1	Axle, Rear Suspension Arm - Lower	15	8050-222	4	Washer
6	8002-131	8	Screw, Cap	16	8040-366	2	Nut, Lock
7	8051-247	8	Washer, Lock	17	1604-708	2	Strap, Limiter
8	8050-247	8	Washer	18	0300-180	2	Wheel, Idler
9	1604-673	3	Axle	19	1604-564	1	Spacer
10	1604-204	1	Block, Spring Adjuster - Right	19	1604-565	2	Spacer
	1604-205	1	Block, Spring Adjuster - Left				



CHASSIS, FOOTREST, AND REAR BUMPER ASSEMBLY

0737-551

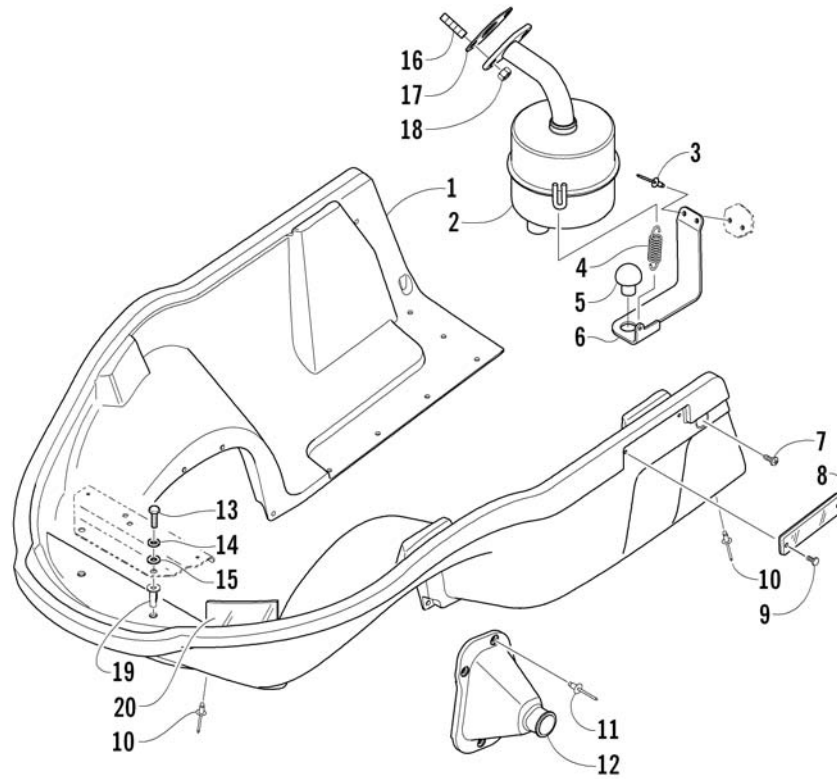
Ref.	Part No.	Qty.	Description	Ref.	Part No.	Qty.	Description
1	0718-996	1	Tunnel Assembly (inc. 2-4)	17	0623-301	4	Screw, Self-Tapping
2	2706-156	1	● Plate, Reinforcement - Tunnel - Right	18	8050-217	8	Washer
	2706-157	1	● Plate, Reinforcement - Tunnel - Left	19	0606-029	2	Reflector, Rear - Red
3	2706-158	1	● Plate, Cover - Tunnel	20	0623-269	4	Clip, Retaining
4	0123-418	30	● Rivet	21	2606-819	1	Snowflap
5	2706-141	1	Bracket, Mounting - Hood - Lower	22	8060-628	4	Rivet
6	2606-019	1	Plate, Reinforcement	23	0123-802	4	Washer
7	8040-366	10	Nut, Lock	24	8002-040	8	Screw, Cap
8	8060-504	AR	Rivet	25	1706-018	1	Bumper, Rear
9	2706-180	1	Bracket, Support - Footrest - Right	26	8002-044	5	Screw, Cap
	2706-181	1	Bracket, Support - Footrest - Left	27	1706-105	1	Flag, Safety - Assembly (inc. 28-32)
10	1606-784	1	Footrest - Right	28	1706-104	1	● Flag, Safety
	1606-785	1	Footrest - Left	29	1606-954	1	● Pole, Safety Flag
11	1706-283	1	Support, Footrest - Right	30	2606-010	1	● Mounting, Safety Flag - Assembly
	1706-041	1	Support, Footrest - Left	31	8050-247	1	● Washer
12	1606-816	1	End Cap, Rear Bumper - Right	32	8002-134	1	● Screw, Cap
	1606-817	1	End Cap, Rear Bumper - Left	33	0623-562	1	Plug, Hole
13	8060-506	6	Rivet	34	0411-053	1	Decal, "CE"
14	4611-758	1	Decal, Tunnel - Right	35	0623-677	1	Cable Tie, Push-Mount
	4611-759	1	Decal, Tunnel - Left	36	0630-001	1	Regulator, Voltage
15	2706-217	1	Cover, Sprocket - Driven	37	8041-366	3	Nut, Lock
16	3611-754	1	Decal, Warning - Cover				



HOOD, HEADLIGHT, AND WINDSHIELD ASSEMBLY

0737-552

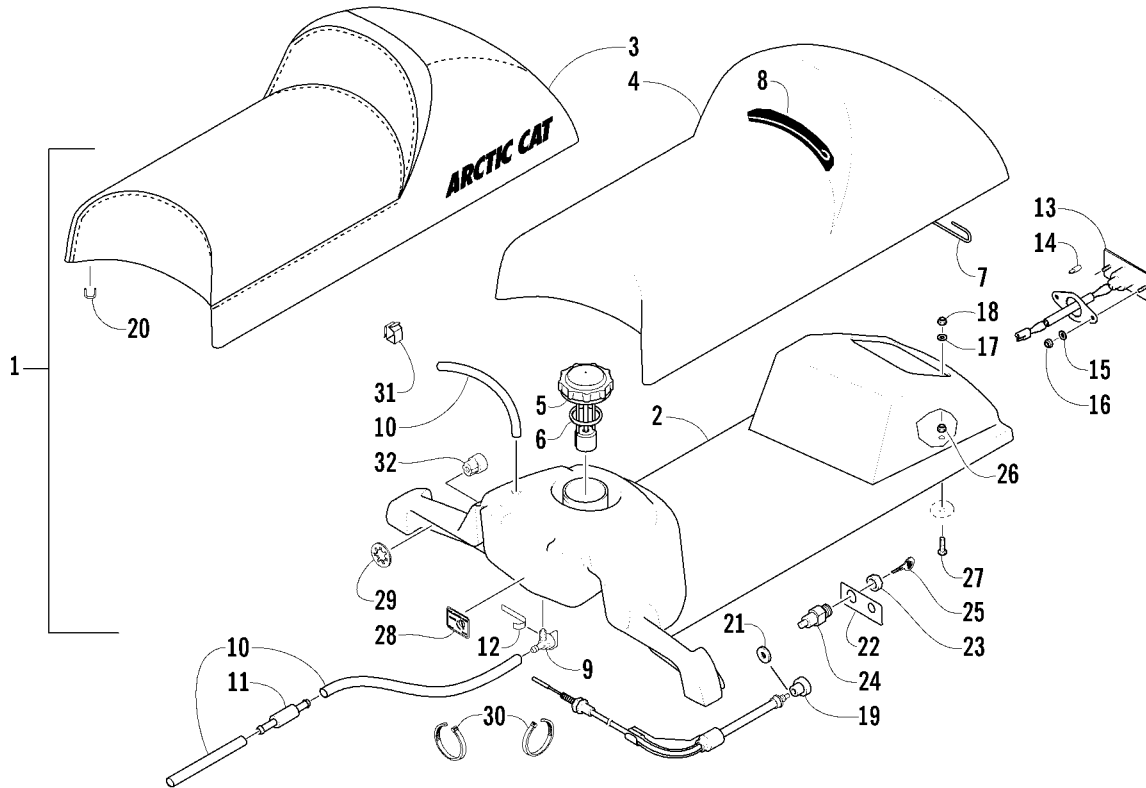
Ref.	Part No.	Qty.	Description	Ref.	Part No.	Qty.	Description
1	1718-232	1	Hood w/Decals (inc. 2-9)	18	0606-121	1	Cable, Hood
2	1718-193	1	● Hood w/o Decals (inc. 3-5)	19	0623-243	1	Clip, Retaining
3	3611-675	1	●● Decal, Instrument Panel	20	2606-767	1	Windshield
4	3611-755	1	●● Decal, Caution - Throttle	21	4611-932	1	Decal, Windshield - Right
5	3611-678	1	●● Decal, Caution - Hood		4611-933	1	Decal, Windshield - Left
6	4611-762	1	● Decal, Hood - Right	22	0616-032	4	O-Ring, Windshield
	4611-763	1	● Decal, Hood - Left	23	4611-934	1	Decal, Hood - Windshield - Right
7	4611-765	1	● Decal, Crest - Left		4611-935	1	Decal, Hood - Windshield - Left
8	4611-764	1	● Decal, Crest - Right	24	1606-930	2	Strap, Hold-Down
9	4611-926	1	● Decal, "Arctic Cat" - Hood	25	0123-510	1	Spring, Extension
10	0609-006	1	Socket w/Rubber Cap	26	8040-366	2	Nut, Lock
11	0609-004	1	Bulb, Headlight	27	8050-217	2	Washer
12	0609-005	1	Lens/Reflector, Headlight	28	0107-234	2	Spacer
13	0123-616	4	Screw, Adjustment	29	8002-040	2	Screw, Cap
14	0123-614	4	Spring, Adjustment Screw	30	0623-420	4	Screw, Hex Washer Head
15	0124-054	4	Snap Cap w/Washer	31	2706-140	1	Bracket, Mounting - Hood - Upper
16	0686-684	1	Harness, Wiring - Main	32	0623-594	4	Washer
17	0123-788	AR	Cable Tie - 7 in.	33	0623-392	4	Nut, Lock



BELLY PAN AND EXHAUST ASSEMBLIES

0736-153

Ref.	Part No.	Qty.	Description	Ref.	Part No.	Qty.	Description
1	2606-766	1	Belly Pan - Green	12	0605-464	1	Boot, Tie Rod - Right
2	0712-937	1	Muffler		0605-465	1	Boot, Tie Rod - Left
3	8060-504	2	Rivet	13	8002-041	2	Screw, Cap
4	0123-321	1	Spring, Extension	14	8051-217	2	Washer, Lock
5	0612-111	1	Bumper, Molded - Rubber	15	8050-222	2	Washer
6	0712-914	1	Bracket, Muffler Support	16	0693-317	2	Bolt, Stud
7	0623-309	2	Screw, Self-Tapping	17	0691-852	1	Gasket, Exhaust
8	0606-526	2	Reflector, Front - Amber	18	3004-326	2	Nut
9	0623-269	4	Clip, Retaining	19	0623-857	2	Insert
10	8061-508	22	Rivet	20	0619-206	AR	Tape, Foil
11	8060-508	8	Rivet				

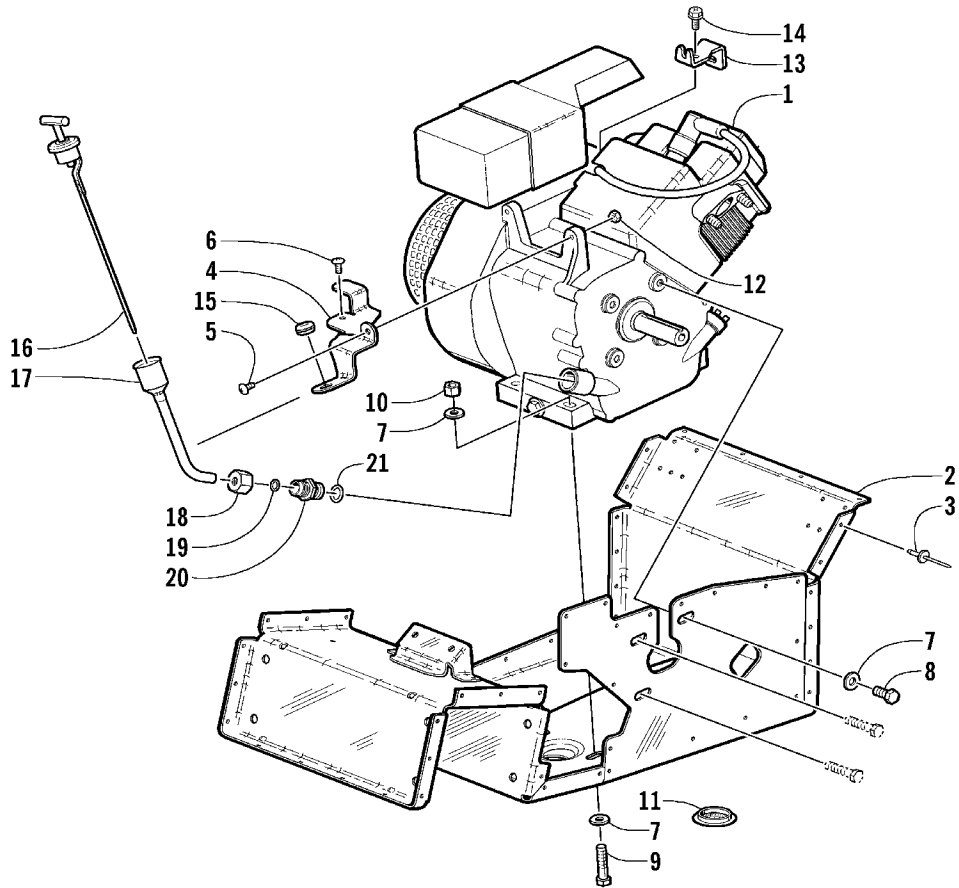


GAS TANK, SEAT, AND TAILLIGHT ASSEMBLY

(Complete Seat Assembly p/n 1718-331)

0736-891

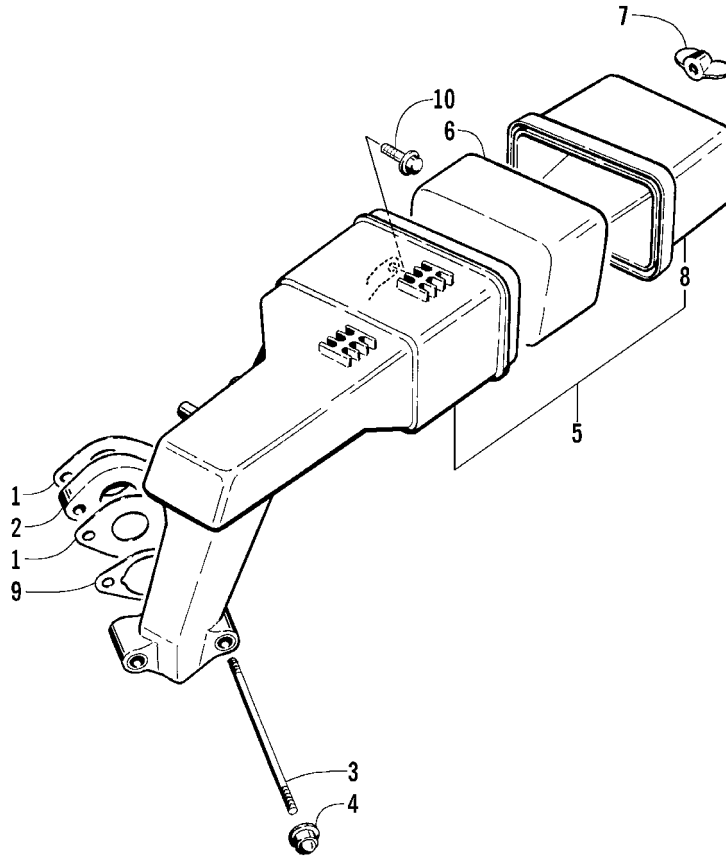
Ref.	Part No.	Qty.	Description	Ref.	Part No.	Qty.	Description
1	1718-331	1	Complete Seat Assembly (inc. 2-8 and 20)	16	0123-709	2	Nut w/Lock Washer
2	2606-844	1	● Tank, Gas/Seat-Base	17	0623-184	2	Washer
3	1706-143	1	● Cover, Seat	18	0123-108	2	Nut, Nylon Cap
4	1706-017	1	● Foam, Seat	19	0687-154	1	Cable, Choke (inc. 21)
5	1670-084	1	● Cap, Gas Tank (inc. 6)	20	0624-528	AR	Staple, Seat Cover
6	0109-733	1	●● Seal, Tank Cap	21	0623-054	1	Nut, Choke Cable
7	2606-942	1	● Wire, Seat	22	4611-767	1	Decal, Switch/Choke
8	2606-031	1	● Wire, Seat	23	0609-111	1	Nut, Retaining
9	0676-017	1	Valve, Shut-Off - Gas Tank	24	0109-822	1	Switch, Ignition (inc. 23 and 25)
10	0610-017	AR	Hose, Gasline/Vent - 100 ft	25	0116-065	2	● Key
	0610-008	AR	Hose, Gasline/Vent - 25 ft	26	8041-366	2	Nut, Lock
11	0510-335	1	Filter, Fuel	27	8002-040	2	Screw, Cap
12	0670-289	AR	Tape, Teflon	28	3611-856	1	Decal, Shut-Off Valve
13	0609-070	1	Taillight Assembly (inc. 14)	29	0123-579	1	Nut, Push
14	0230-020	1	● Bulb, Taillight	30	0123-788	3	Cable Tie - 7 in.
15	8050-157	2	Washer	31	0123-394	1	Clip, Cable
				32	0116-469	1	Bushing, Recoil Starter



ENGINE AND RELATED PARTS

0736-155

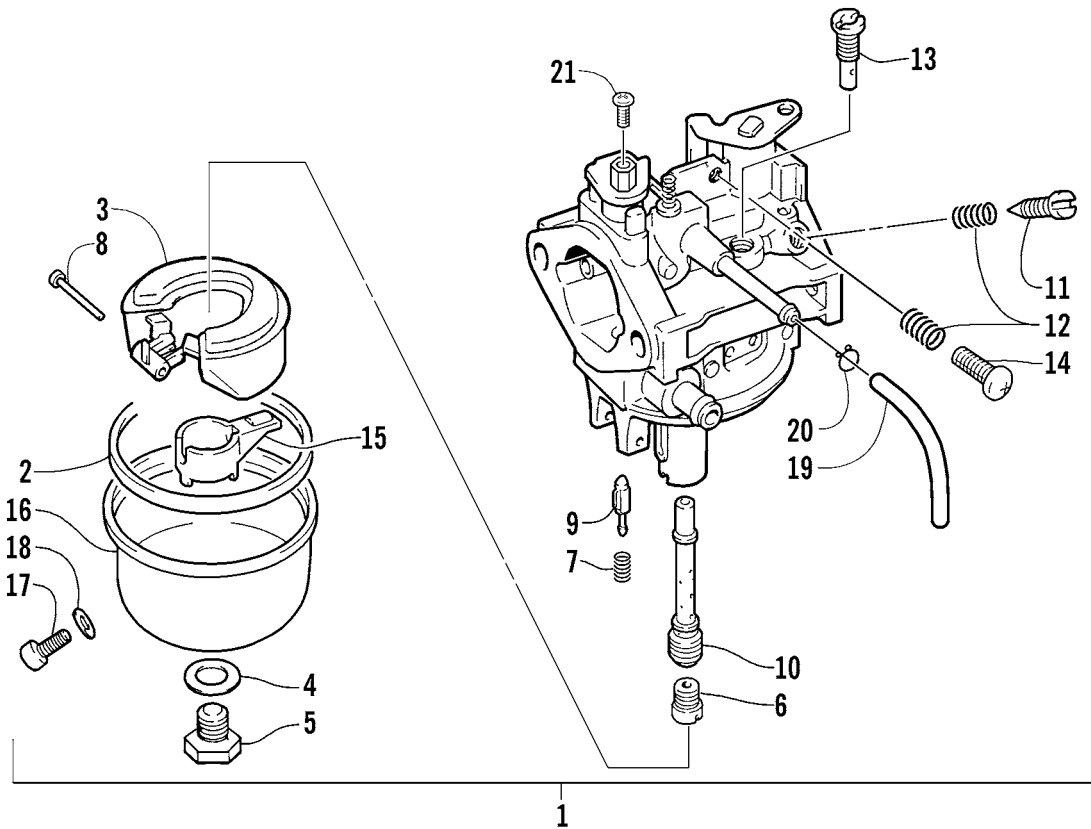
Ref.	Part No.	Qty.	Description	Ref.	Part No.	Qty.	Description
1	0662-336	1	Engine, AA12A2	12	8041-246	1	Nut, Lock
2	1706-235	1	Front End	13	0770-617	1	Bracket, Throttle Cable
3	8060-504	AR	Rivet	14	3004-987	1	Screw, Cap
4	2606-223	1	Cover, Governor	15	1670-235	1	Grommet
5	8007-400	1	Screw, Machine	16	1670-191	1	Stick, Oil Level
6	0623-786	1	Screw, Self-Tapping	17	1670-190	1	Tube, Fill
7	8050-247	9	Washer	18	0623-896	1	Nut, Shoulder
8	8004-130	1	Screw, Cap	19	0623-884	1	O-Ring, Fill Tube Adapter
9	8002-135	4	Screw, Cap	20	0623-883	1	Adapter, Fill Tube
10	8040-426	4	Nut, Lock	21	0623-903	1	O-Ring
11	0623-822	5	Plug				



AIR CLEANER ASSEMBLY

0732-147

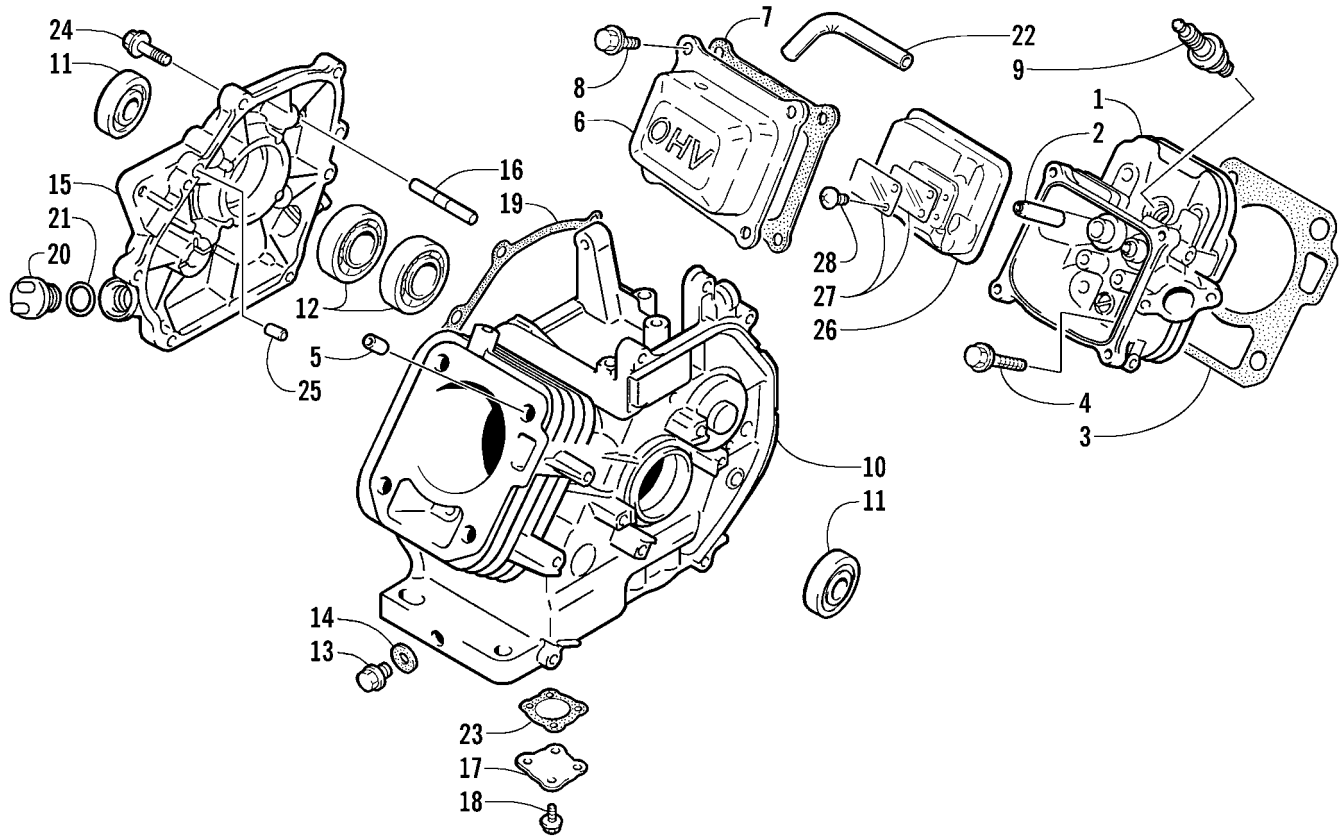
Ref.	Part No.	Qty.	Description	Ref.	Part No.	Qty.	Description
1	0693-282	2	Gasket, Carburetor	6	0691-736	1	● Filter, Air Cleaner
2	0691-850	1	Insulator, Carburetor	7	0693-542	1	● Nut, Wing
3	0693-364	2	Bolt, Stud	8	0691-851	1	● Cover, Air Cleaner
4	3004-488	2	Nut	9	0693-287	1	Gasket, Air Cleaner
5	0693-543	1	Cleaner, Air - Assembly (inc. 6-8)	10	0693-307	1	Bolt



CARBURETOR

0735-414 *Optional

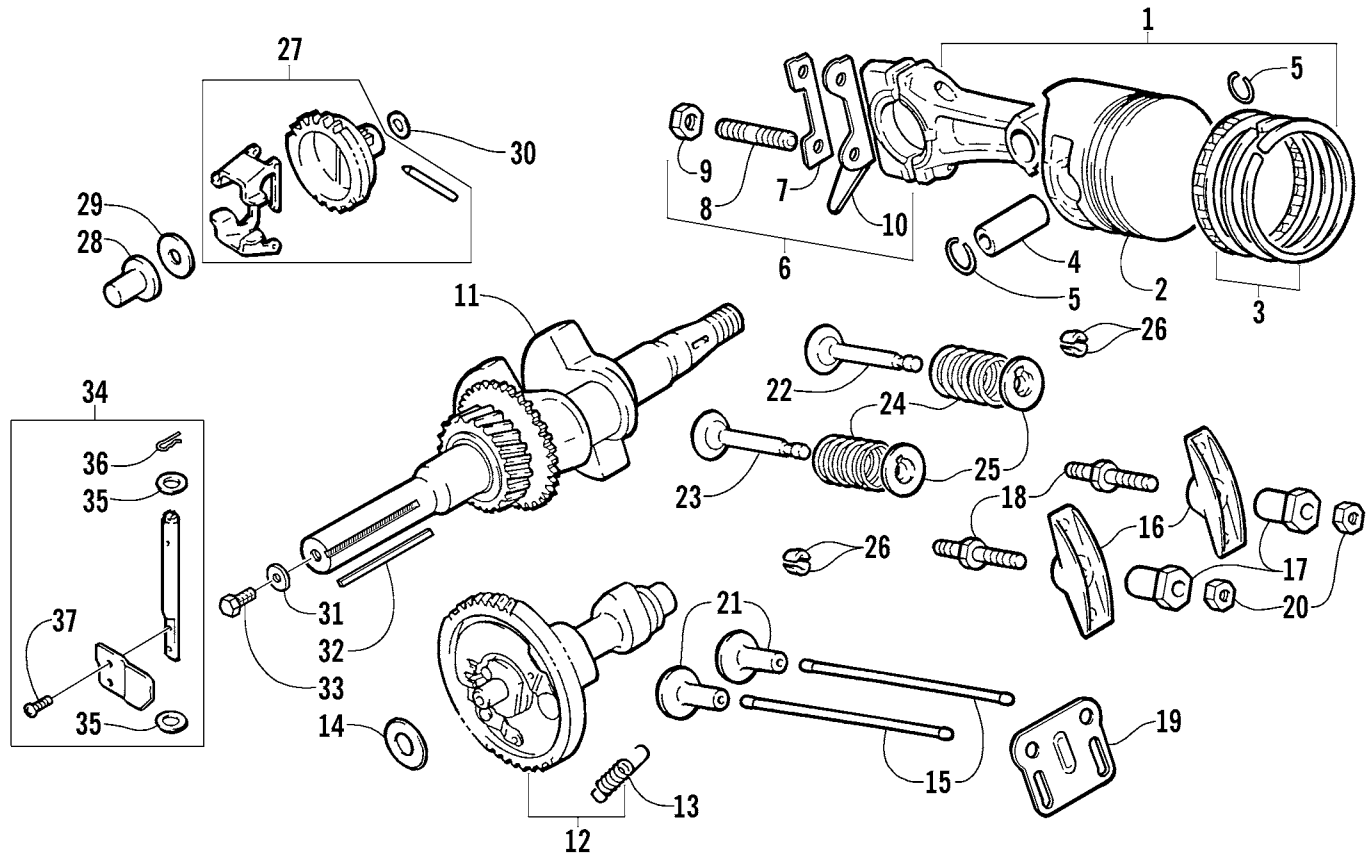
Ref.	Part No.	Qty.	Description	Ref.	Part No.	Qty.	Description
1	0694-028	1	Carburetor Assembly (inc. 2-21)	14	0693-315	1	● Adjuster Screw, Idle Speed
2	0691-423	1	● Gasket, Float Chamber	15	0691-426	1	● Ring
3	0691-424	1	● Float	16	0693-283	1	● Chamber, Float
4	0691-624	1	● Gasket, Drain Plug	17	0693-284	1	● Screw, Drain
5	0693-697	1	● Plug, Drain	18	0693-285	1	● Gasket, Drain Screw
6	0694-032	1	● Main Jet (77.5)	19	0694-012	1	● Hose, Gasline
7	0691-428	1	● Spring, Needle Jet	20	0694-011	1	● Clamp, Hose
8	0693-536	1	● Pin, Float	21	0694-025	1	● Screw
9	0693-055	1	● Needle Jet				
10	0693-056	1	● Nozzle				
11	0691-102	1	● Adjuster Screw, Pilot Air				
12	0691-272	2	● Spring				
13	0694-033	1	● Pilot Jet (42.5)				
	0693-538	1	● Pilot Jet (37.5)*				
	6506-261	1	● Pilot Jet (45)*				
	6506-262	1	● Pilot Jet (47.5)*				
	6506-263	1	● Pilot Jet (50)*				



CYLINDER AND CRANKCASE

0737-143

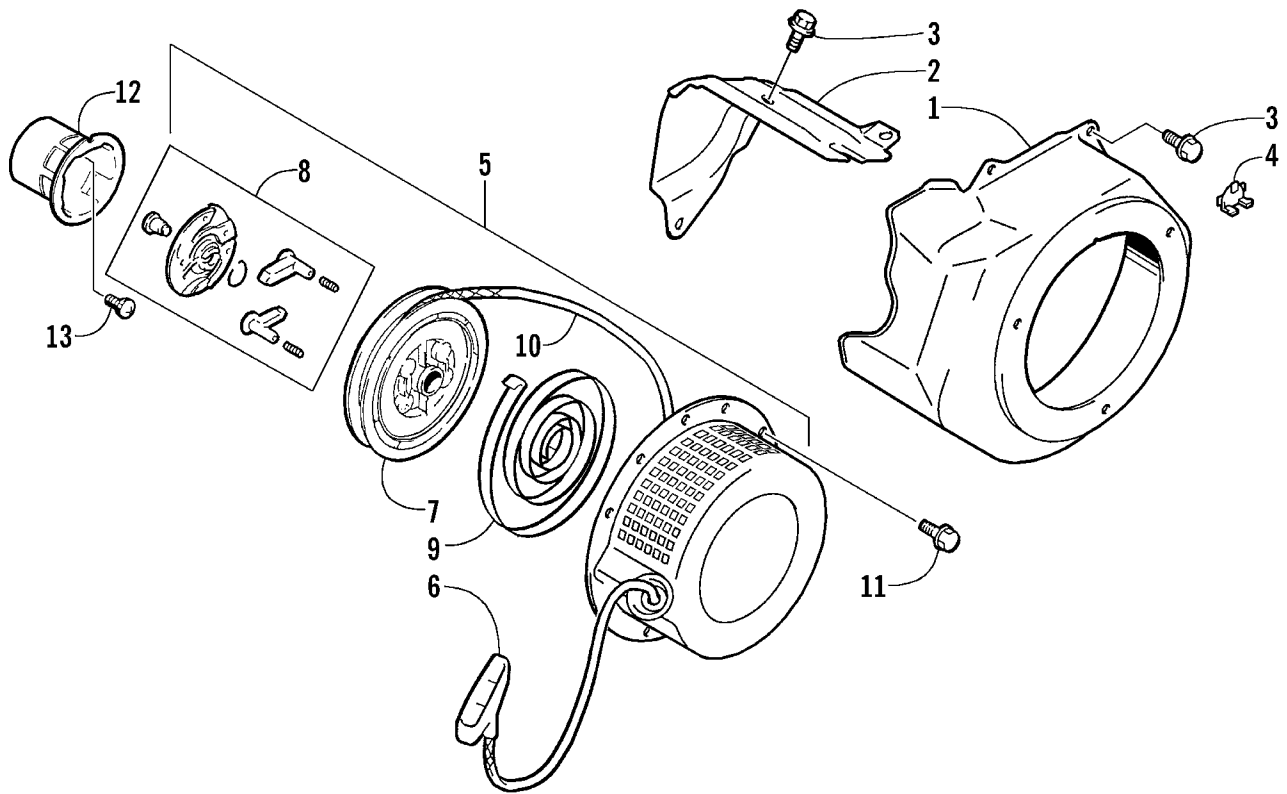
Ref.	Part No.	Qty.	Description	Ref.	Part No.	Qty.	Description
1	0694-034	1	Head, Cylinder (inc. 2)	16	0691-844	1	● Shaft, Governor Gear
2	0691-545	2	● Guide, Valve	17	0694-022	1	Cover, Oil Level Sensor
3	0691-386	1	Gasket, Cylinder Head	18	0693-307	4	Bolt
4	0693-303	4	Bolt	19	0691-834	1	Gasket, Crankcase
5	3008-199	2	Pin, Dowel	20	0694-004	1	Plug, Engine Oil Drain - Assembly (inc. 21)
6	0691-830	1	Cover, Cylinder Head	21	0693-298	1	● O-Ring
7	0691-387	1	Gasket, Cylinder Head Cover	22	0693-362	1	Hose, Air Breather
8	0693-241	4	Bolt	23	0691-837	1	Gasket, Engine Oil Level Sensor
9	0217-703	1	Plug, Spark (BPR6ES)	24	0694-035	7	Bolt
10	0694-001	1	Cylinder Assembly (inc. one No. 11-12 and 13-14)	25	3005-206	2	Pin, Dowel
11	0691-376	2	● Seal, Oil	26	0691-393	1	Body, Air Breather - Assembly (inc. 27-28)
12	0691-374	2	● Bearing	27	0693-226	1	● Valve, Reed - Set
13	0693-253	2	● Plug	28	0693-305	2	● Screw
14	3002-276	2	● Gasket				
15	0694-002	1	Cover, Crankcase - Assembly - Side (inc. 16 and one No. 11-12)				



PISTON AND CRANKSHAFT

0735-429 *Optional

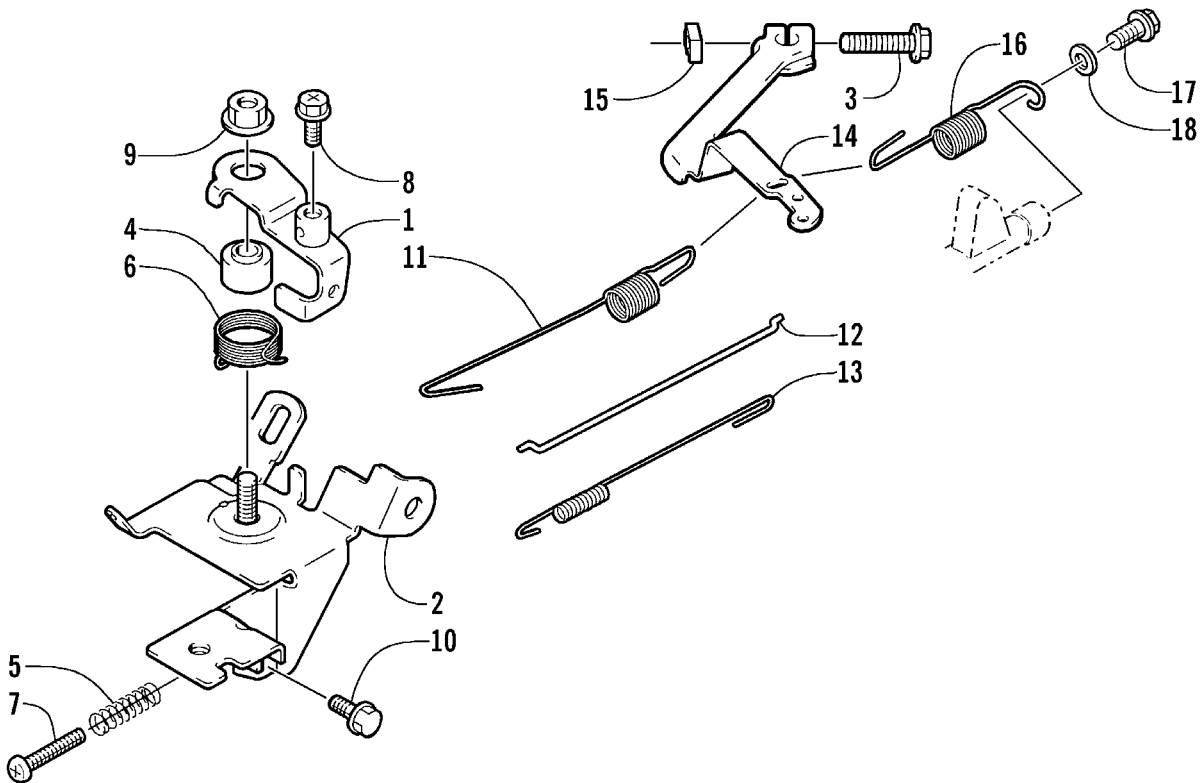
Ref.	Part No.	Qty.	Description	Ref.	Part No.	Qty.	Description
1	0694-026	1	Piston Assembly (inc. 2, 3, and 5)	17	0691-413	2	Pivot
2	0691-398	1	● Piston	18	0694-037	2	Bolt, Stud - Pivot
	0691-569	1	● Piston, Oversized (0.25 mm)*	19	0691-415	1	Guide, Push Rod
	0691-570	1	● Piston, Oversized (0.50 mm)*	20	0691-016	2	Nut
3	0691-399	1	● Ring, Piston - Set	21	0691-406	2	Tappet
	0691-571	1	● Ring, Piston - Set - Oversized (0.25 mm)*	22	0694-008	1	Valve, Intake
	0691-572	1	● Ring, Piston - Set - Oversized (0.50 mm)*	23	0694-009	1	Valve, Exhaust
4	0691-400	1	Pin, Piston	24	0694-036	2	Spring, Valve
5	0691-378	2	Circlip	25	0693-313	2	Retainer, Valve Spring
6	0691-936	1	Rod, Connecting - Assembly (inc. 7-10)	26	0693-281	4	Cotter, Valve
7	0691-403	1	● Plate, Lock	27	0693-698	1	Gear, Governor - Set
8	0691-366	2	● Bolt, Stud	28	0691-842	1	Slider, Governor
9	3004-851	2	● Nut	29	0691-843	1	Washer
10	0691-402	1	● Plate, Splash	30	3004-652	1	Washer
11	0694-027	1	Crankshaft Assembly	31	0694-024	1	Washer
12	0691-914	1	Camshaft (inc. 13)	32	0694-006	1	Key, Crankshaft
13	0691-380	1	● Spring	33	0694-007	1	Bolt, Crankshaft
14	0691-840	1	Washer	34	0693-258	1	Shaft, Throttle Control - Set (inc. 35-37)
15	0691-407	2	Rod, Push	35	0693-252	2	● Washer
16	0691-412	2	Arm, Rocker	36	0691-848	1	● Clip, Hairpin
				37	3004-563	2	● Screw



RECOIL STARTER

0735-430

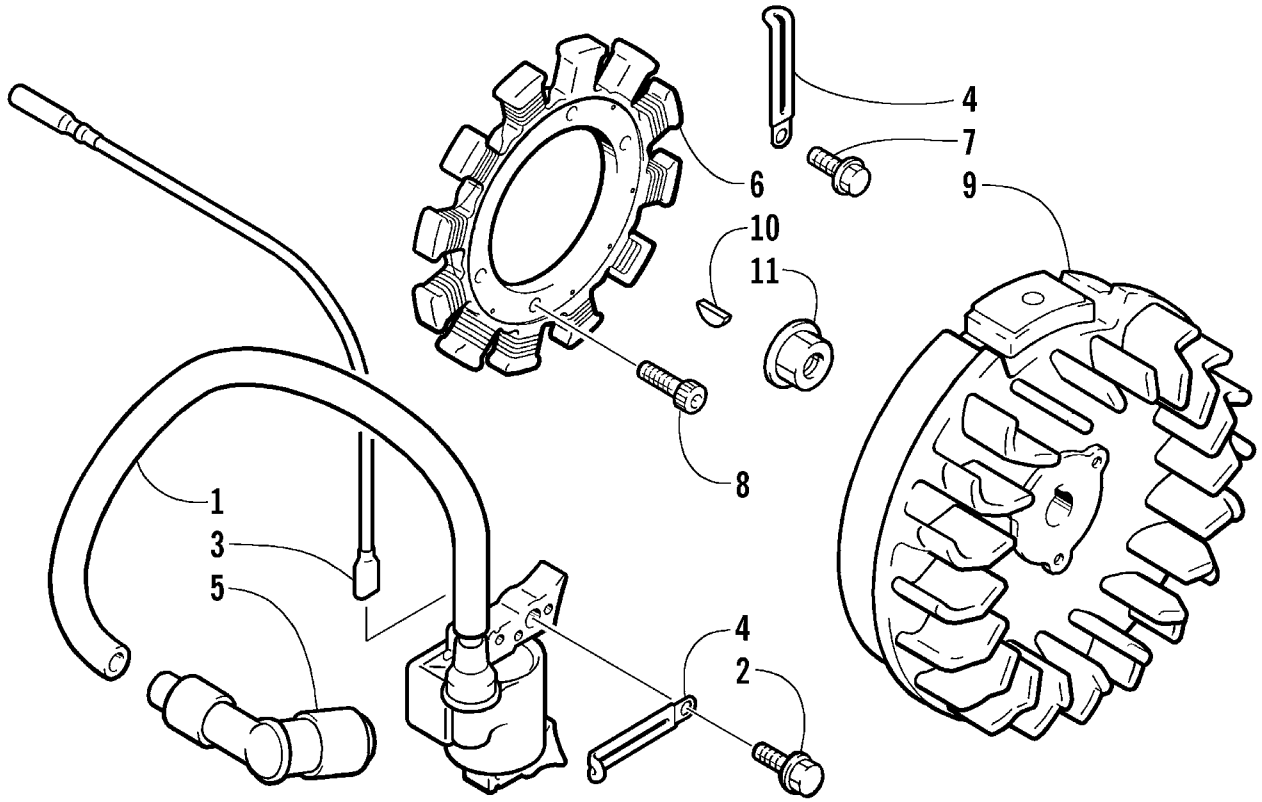
Ref.	Part No.	Qty.	Description	Ref.	Part No.	Qty.	Description
1	0694-013	1	Cover, Ventilation Cowling	8	0693-256	1	● Ratchet Set
2	0691-853	1	Cowling, Ventilation	9	3005-162	1	● Spring, Spiral
3	0693-241	7	Bolt	10	3004-856	1	Rope
4	0691-122	1	Protector, Lead Wire	11	0693-246	3	Bolt
5	0694-014	1	Starter, Recoil - Assembly (inc. 6-9)	12	0691-863	1	Pulley, Starter
6	0693-257	1	● Grip Assembly	13	3004-423	3	Screw
7	0691-856	1	● Reel				



THROTTLE CONTROL ASSEMBLY

0736-383

Ref.	Part No.	Qty.	Description	Ref.	Part No.	Qty.	Description
1	0694-016	1	Lever, Throttle Cable	10	0693-241	1	Bolt
2	0694-017	1	Bracket, Throttle Control	11	0694-015	1	Spring, Throttle Control
3	0693-416	1	Bolt	12	0694-019	1	Rod, Carburetor
4	3002-459	1	Spacer	13	0691-455	1	Spring, Carburetor Rod
5	0691-901	1	Spring	14	0693-259	1	Lever, Throttle Control (inc. 3 and 15)
6	0694-038	1	Spring	15	0691-017	1	● Nut
7	3004-611	1	Screw	16	0623-965	1	Spring
8	3004-987	1	Bolt	17	0623-966	1	Screw
9	3004-351	1	Nut	18	8050-217	1	Washer



MAGNETO

0735-431

Ref.	Part No.	Qty.	Description	Ref.	Part No.	Qty.	Description
1	0693-326	1	Coil, Ignition - Assembly	7	0693-241	1	Bolt
2	0693-242	2	Bolt	8	0694-023	4	Bolt
3	0693-263	1	Wire, Magneto Lead	9	0694-030	1	Rotor/Flywheel
4	3002-964	2	Clamp, Wire	10	3004-540	1	Key
5	0691-322	1	Cap, Spark Plug	11	3004-380	1	Nut
6	0694-029	1	Stator				

RELATED ITEMS

2004 ZR 120

(Model No. S2004ZRAAAUSG)

2639-676	Cover, Machine (Deluxe Coverall)	2639-777	Skid Plate - Black
1639-830	Wearbars, 4 in. Carbide (Pair)	2639-013	Wheel Kit - Rear Suspension
1639-831	Studs, Carbide Push-Through (24/pk)	1639-795	Wheel Kit - Ski
1639-762	Handlebar Grips - Green	1604-611	Wearstrips - Green
2639-019	Handwarmers	1639-526	Windscreen - Black
1639-763	Headlight Cover - Green	1639-768	Windshield - Tall
1639-764	Headlight Cover - Smoke	2256-926	Manual, Operator's (E/F)
1639-761	Running Board Grip Plates - Green	2256-868	Manual, Illustrated Parts

■ **NOTE:** For a complete list of related items, refer to the current accessory catalog.

